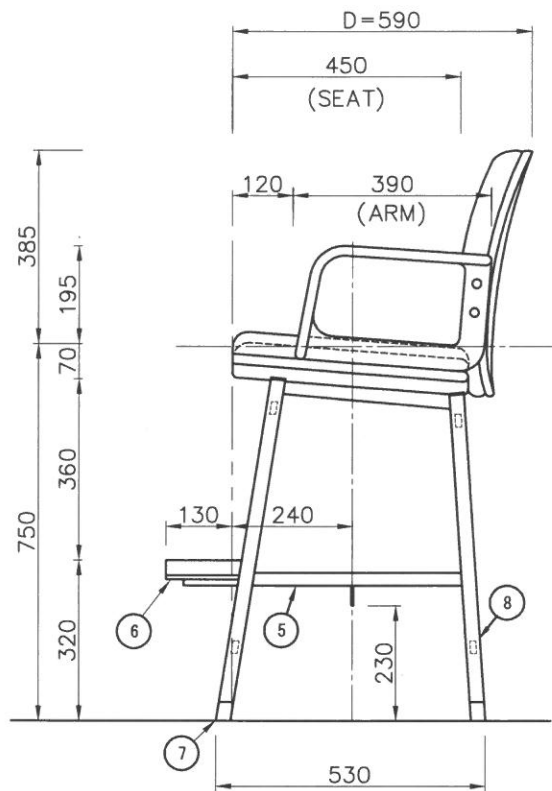
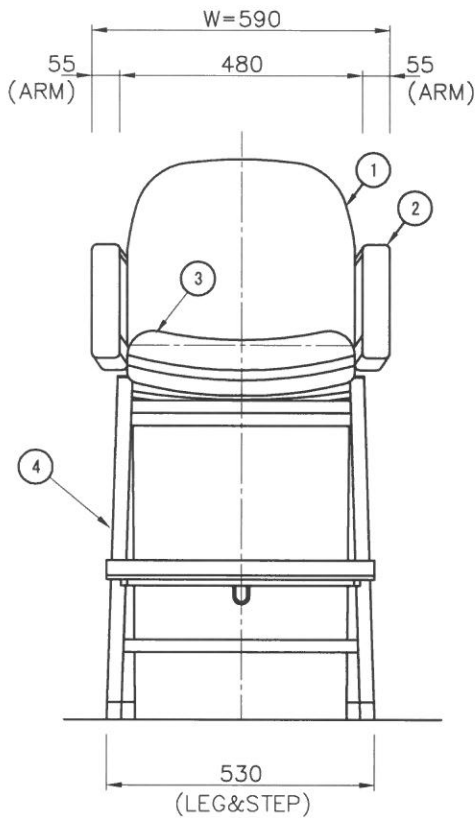
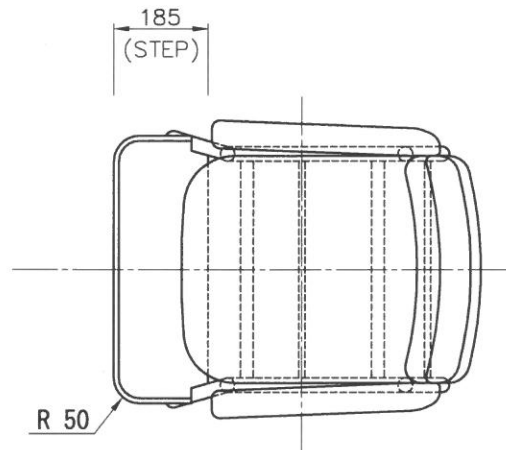


PILOT CHAIR (505P)

TITLE.



③	SEAT	FRONT COVER ;~VINYL LEATHER (DARK BROWN COLOR) & URETHANE FOAM	⑧	BARS	REINFORCED STEEL BAR
		BACK COVER ;~NON-WOVEN (BLACK COLOR)	⑦	TIPS	RUBBER CAP & STEEL
②	ARM REST	PLASTIC (BLACK COLOR)	⑥	STEP	WOODEN RONRIUM PLANE (3159) & ALUMINUM ANGLE
①	BACK REST	FRONT COVER ;~VINYL LEATHER (DARK BROWN COLOR) & URETHANE FOAM	⑤	REINF.FRAME	12x25 STEEL PIPE BAKED ENAMEL (IVORY COLOR)
		BACK COVER ;~VINYL LEATHER (DARK BROWN COLOR) & URETHANE FOAM	④	LEG	28.6φ STEEL PIPE BAKED ENAMEL (IVORY COLOR)
MARK	NAME	MATERIAL	MARK	NAME	MATERIAL